

DIESEL FUEL TRANSFER TANK W/PUMP INSTRUCTION MANUAL

⚠ WARNING FOR DIESEL USE ONLY, NOT FOR GASOLINE

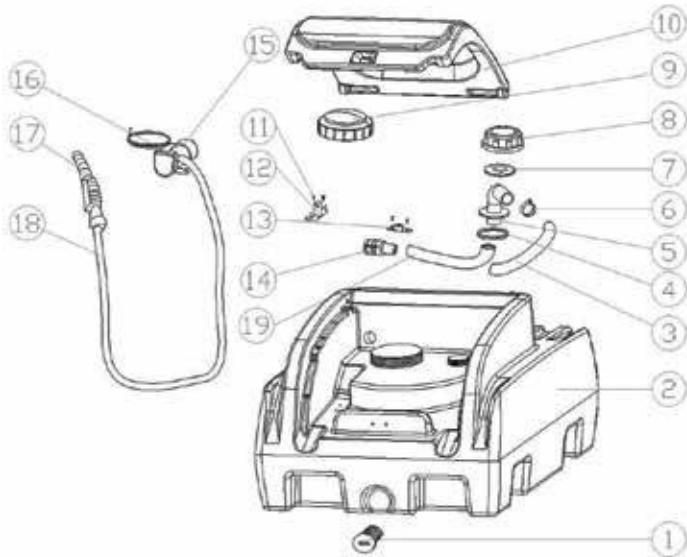
• 200l Max Capacity

- 1) Attach battery cables Red (POSITIVE) to Red (POSITIVE) and Black (Negative) to Unpainted Metal
- 2) Confirm fuel is inside tank
- 3) Turn Power on.
- 4) Remove hose and grip the nozzle
- 5) Open gas cap, insert nozzle, press auto shut-off nozzle release to dispense fuel into tank.
- 6) When finished, turn the power off then release the nozzle to allow excess fuel to drain out of the hose.
- 7) Wrap hose and nozzle back into tank, then remove battery cables.

NOTE: Adjust the leak-proof breather vent as necessary. You cannot put fuel into your tank unless you can get the air out, and you cannot withdraw fuel from your tank unless you can let air in.



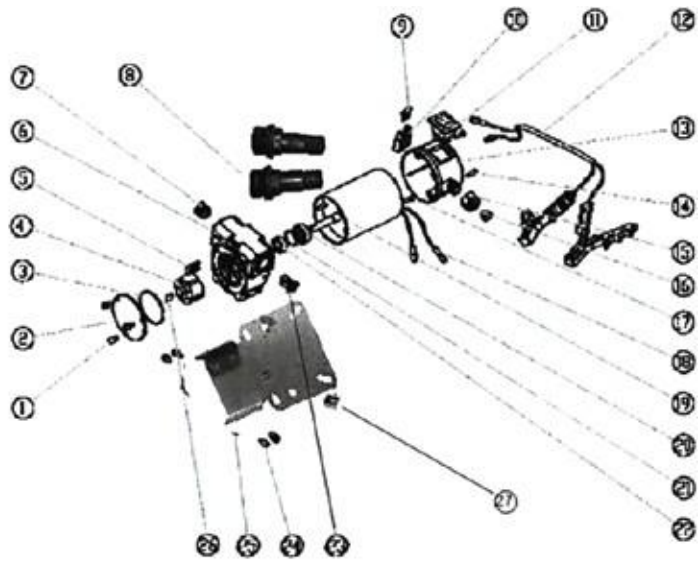
TRANSFER TANK PARTS LIST



ITEM NO.	DESCRIPTION	QTY
1	SCUPPER	1
2	TANK BODY	1
3	3/4 CONNECTOR HOSE	1
4	UNDER WASHER	1
5	SUCTION FITTING	1
6	CLIP	3
7	TOP WASHER	1
8	SUCTION CAP	1
9	BREATHING CAP	1
10	TANK LID	1
11	M6X10 BOLT	4
12	NOZZLE HOLDER	1
13	LOCK HOLDER	1
14	FILTER	1
15	40L 12V DIESEL PUMP	1
16	CLIP	1
17	DIESEL AUTO SHUT OFF NOZZLE	1
18	NBR HOSE	1
19	INNER PVC HOSE	1

PUMP PARTS LIST

No.	Description	Qty.
P1	SCREW M5x10	8
P2	FRONT COVER	1
P3	O-RING	1
P4	ROTOR	1
P5	BLADE	5
P6	PUMP BODY	1
P7	BYPASS SPRING	1
P8	3/4" FITTING	2
P9	FUSE 15A/25A	1
P10	FUSE-CARRIER	1
P11	SINGLE-POLE SWITCH	1
P12	LINE CORD 2MT	1
P13	TERMINAL BOARD	1
P14	SCREW M4x15	2
P15	COMPACTION NUT	1
P16	TAPER RING	1
P17	NUT M5	2
P18	POWER LINE	2



No.	Description	Qty.
P19	MOTOR 12V/24V	1
P20	BEARING	2
P21	SPRING COLLAR	1
P22	SEAL	1
P23	BYPASS VALVE	1
P24	SCREW M5x10	2
P25	BASE	1
P26	KEY	1
P27	Bridge rectifier	1